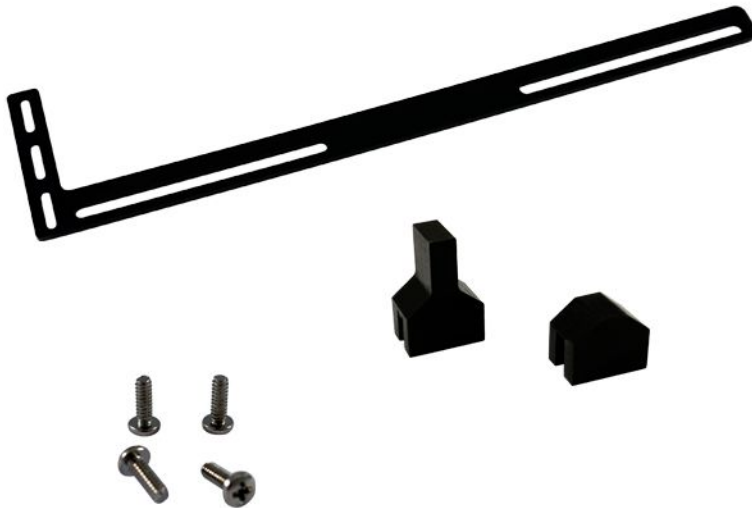


LC-ADA-GPU-1

Graphics card holder



The LC-ADA-GPU-1 is a graphics card holder to support the graphics card.

- adjustable for different graphics card lengths and weights
- provides relief for the mainboard
- compatible to most graphics cards
- 3 mm brushed aluminium

Technical specification - LC-ADA-GPU-1

Dimension (product):	61 x 278 x 3 mm
Dimension (retail):	198 x 320 x 3 mm
GPU seating:	266 mm
Weight (product/overall):	0,036 / 0,043 kg
Material:	brushed aluminium
Colour:	black
Barcode:	4260070127748
Manufacturer code:	LC-ADA-GPU-1

Included in delivery:	1x graphics card holder 2x support 4x screw
-----------------------	---



Example of use

