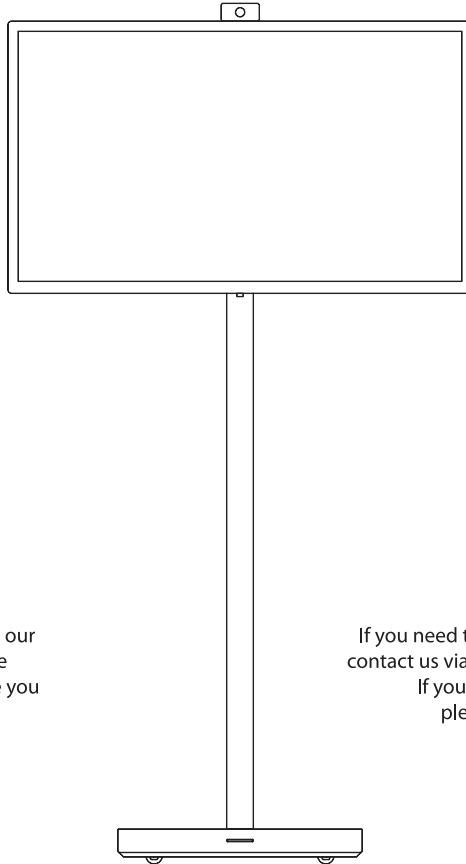


LC-POWER™

LC-M32S4K

User Manual for the mobile Smart Display



Introduction

Thank you for choosing our product. Please read the manual carefully before you use the product.

Service

If you need technical support, please contact us via support@lc-power.com.
If you need after sales service, please contact your retailer.

Contents

Safety Precautions1

Product Introduction2

Installation3

Adjustment6

Instructions7

Parameters8

Update.....8

Safety Precautions

Please read this manual carefully before using the product and keep it in a safe place.

- Keep the display away from water sources or damp places, such as bath rooms, kitchens, basements, and swimming pools. Do not use the device outside if it could rain.
- Make sure the display is placed on a flat surface. If the display falls down, it may cause injury or the device may be damaged.
- Store and use the display in a cool, dry and well ventilated place, and keep it away from heat sources and strong electromagnetic interferences.
- Do not cover or block the vent hole in the rear casing, and do not use the product on a bed, sofa, blanket or similar objects.
- The range of the supply voltage of the display is printed on the label on the rear casing. If it is impossible to determine the supply voltage, please consult the distributor or local power company.
- If the display will not be used for a long period, please turn off the power supply to avoid due to abnormal supply voltage.
- Please use a reliable grounded socket. Do not overload the socket, or it may cause fire or electric shock.
- Do not put foreign matters into the display, or it may cause short circuits resulting in fire or electric shock.
- Do not disassemble or repair this product by yourself to avoid electric shock. If faults occur, please contact the after-sales service directly.
- Do not pull or twist the power cable by forced.



The terms HDMI and HDMI High-Definition Multimedia Interface, and the HDMI Logo are trademarks or registered trademarks of HDMI Licensing Administrator, Inc. in the United States and other countries.

Product Introduction

Packing list

- Please check that the package contains all parts. If any part is lost, please contact your retailer.



Smart display



Pillar



Base



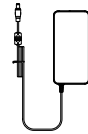
5x screws
(1 pc. as spare part)



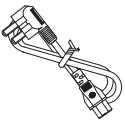
Camera



Screwdriver



Power adapter



Power cable



HDMI cable



USB-C cable

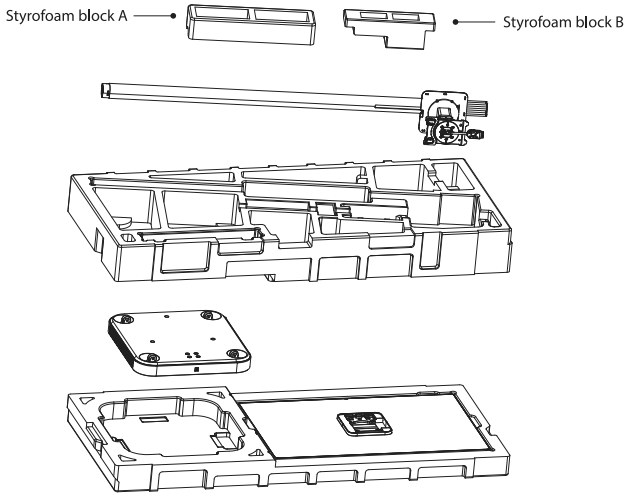


User manual

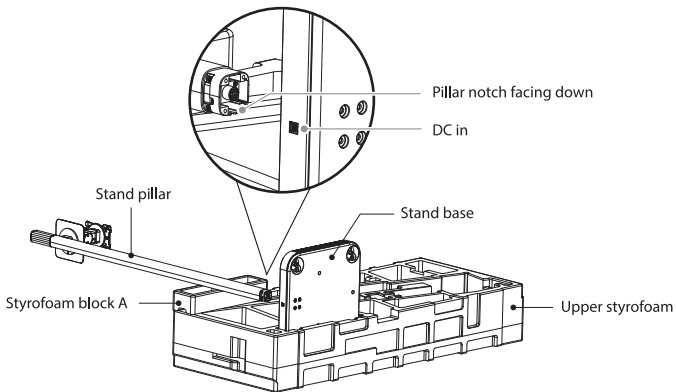
Installation


Installation of the stand (base and pillar)

1. Open the package to take out the styrofoam parts and put them on a flat tabletop, take out the parts in sequence as shown in the figure below.

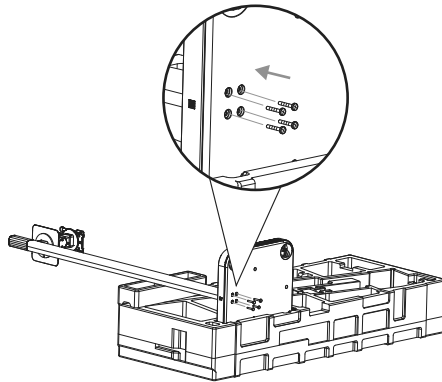


2. Place the stand base into the cavity of the upper styrofoam part and use the styrofoam block A to assemble the stand pillar as shown below:

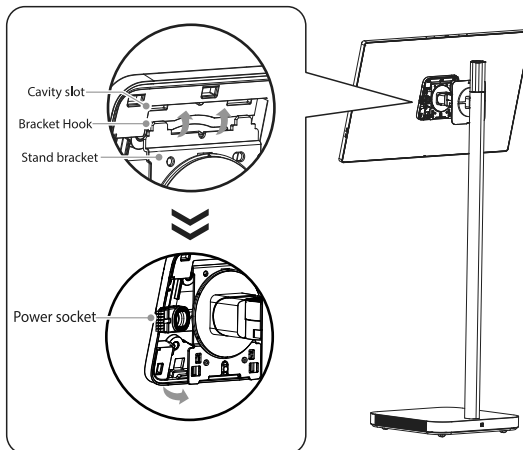



 Note: The weight of the chassis is higher than 10 kg, please be careful during assembly.

3. Use the 4 pcs. of M4 screws to assemble base and pillar.

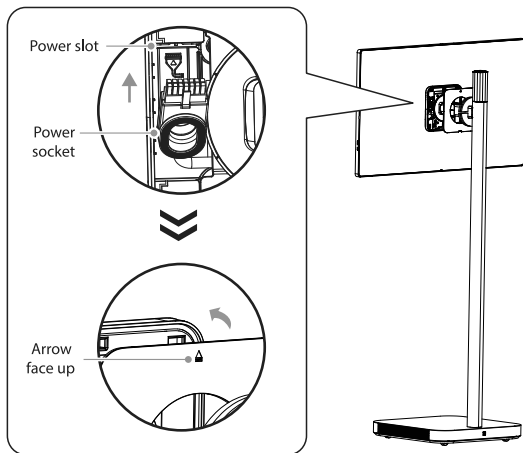


4. Hold up the stand, then assemble the display and the stand. You can use the display's "cavity slot" and the stand's "bracket hook" to hold up the display easily. Put the power socket at the "left side" position, then you can align the display close to the stand bracket until you hear a click sound.



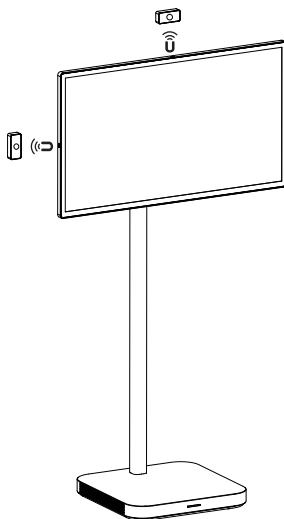
 Note: Please make sure to have the power socket on the "left side" position before connecting the display and bracket.

-
5. Insert the power socket into the power slot, and assemble the VESA mounting cover to the display.
Note: The arrow on the VESA mounting cover faces upwards after the display is in a horizontal position.

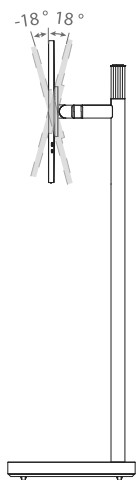


Camera installation

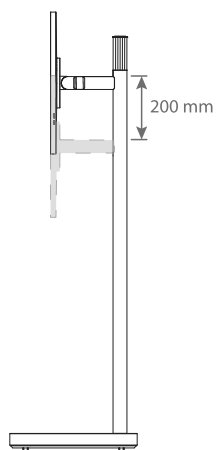
The camera can be attached magnetically to the upper or left side of the display.



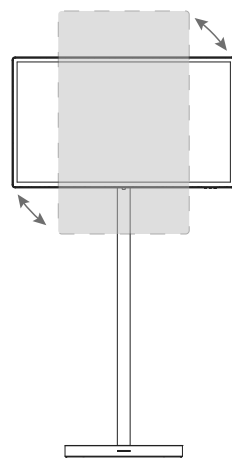
Adjustment



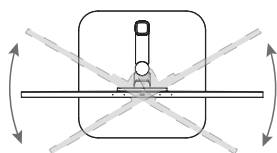
Tilting angle
 $\pm 18^\circ (\pm 2^\circ)$



Height adjustment
200 mm (± 8 mm)



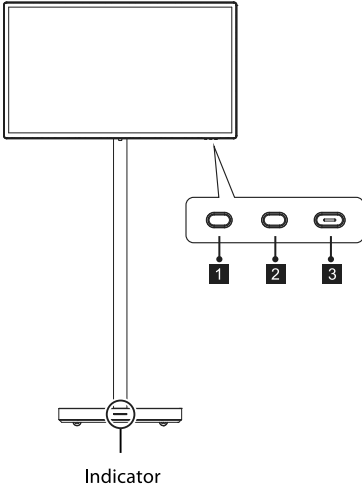
Vertical angle
 $\pm 90^\circ$



Rotation angle
 $\pm 30^\circ (\pm 2^\circ)$

Instructions

Description of buttons



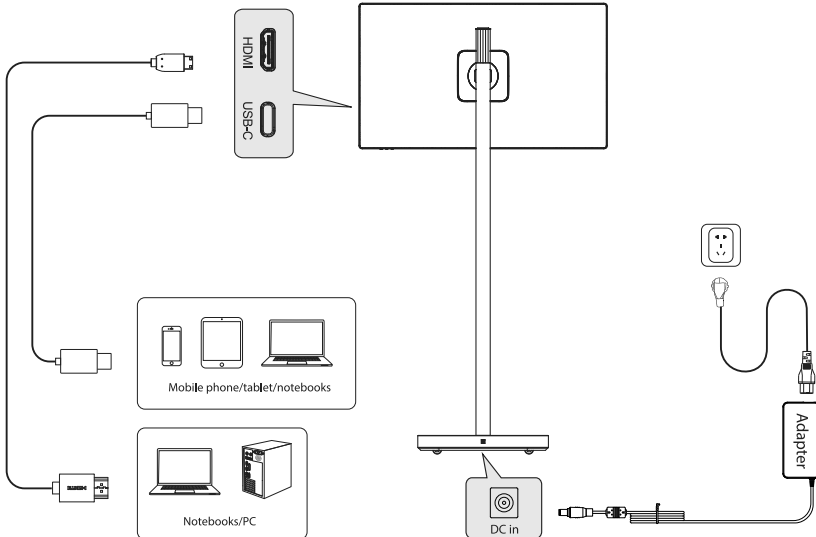
1	Volume down
2	Volume up
3	Power on/off

Indicator description

Blue	Power on, regular operation
Green	Fully charged (charging state, power level > 98 %)
Red	Low power (charging state, power level < 10 %)
Red and blue	Low power (power level < 10 %)
No light	Power off

Note: There is no indicator light during the charging state between 10 % and 98 %.

Cable connections



Specifications

Product name		Smart Display
Product model		LC-Power 4K Mobile Smart Display
Model code		LC-M32S4K
Screen size		31,5"
Aspect ratio		16:9
Viewing angle		178° (H) / 178° (V)
Contrast ratio		3000:1 (typ.)
Colours		16,7 M
Resolution		3840 x 2160 pixels
Refresh rate		60 Hz
Camera		8 MP
Microphone		4 mic array
Speaker		2x 10 W
Touchscreen		OGM+AF
Operating system		Android 11
CPU		MT8195
RAM		8 GB
Storage		128 GB eMMC
Power input		DC 19,5 V --- 6,32 A
Product dimensions	Without stand	731,5 x 428,9 x 28,3 mm
	With stand	731,5 x 1328,9 x 385 mm
Tilting angle		Forward tilting: $-18^{\circ} \pm 2^{\circ}$; backward tilting: $18^{\circ} \pm 2^{\circ}$
Rotation angle		$30^{\circ} (\pm 2^{\circ})$
Height adjustment		200 mm (± 8 mm)
Vertical angle		$\pm 90^{\circ}$
Environmental conditions	Action	Temperature: $0^{\circ}\text{C} \sim 40^{\circ}\text{C}$ ($32^{\circ}\text{F} \sim 104^{\circ}\text{F}$) Humidity: 10 % ~ 90 % RH (non-condensing)
	Storage	Temperature: $-20^{\circ}\text{C} \sim 60^{\circ}\text{C}$ ($-4^{\circ}\text{F} \sim 140^{\circ}\text{F}$) Humidity: 5 % ~ 95 % RH (non-condensing)

Update

Open the Android settings and choose the last column; choose "Update" to check if you operating system is up to date.